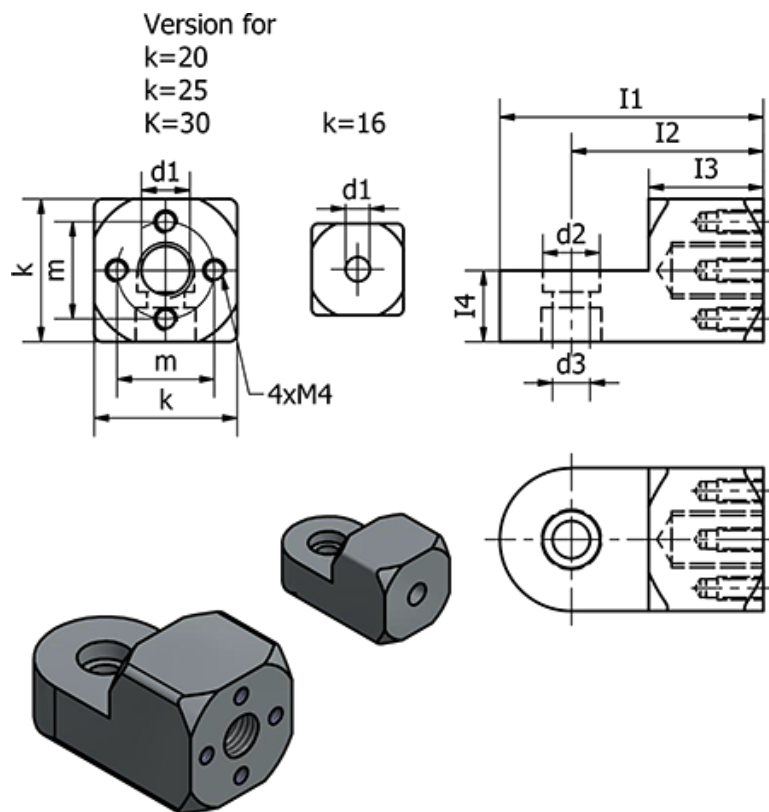


Article number: 20484M820ELS
 Description: E+G T-swivel mounting
 GN 484-M8-20-ELS

Measures



Clamping kit for d_3 Type K = GN 511.1-M5-20-K

Clamping kit for d_3 Type S = GN 511.1-M5-20-S

d_1 = M8

d_2 = 8.5

d_3 = 5.5

I_1 = 38

I_2 = 28

I_3 = 17

I_4 = 10

k = 20

m = 14

Weight (g) = 24